

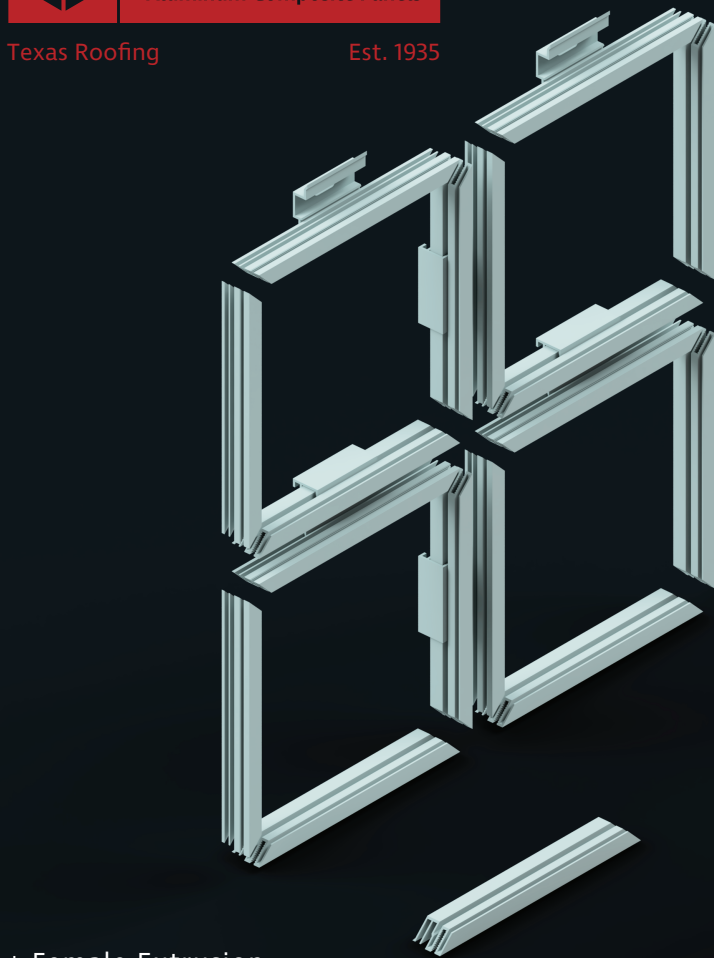


**TEXAS ACM**  
Aluminum Composite Panels

Texas Roofing

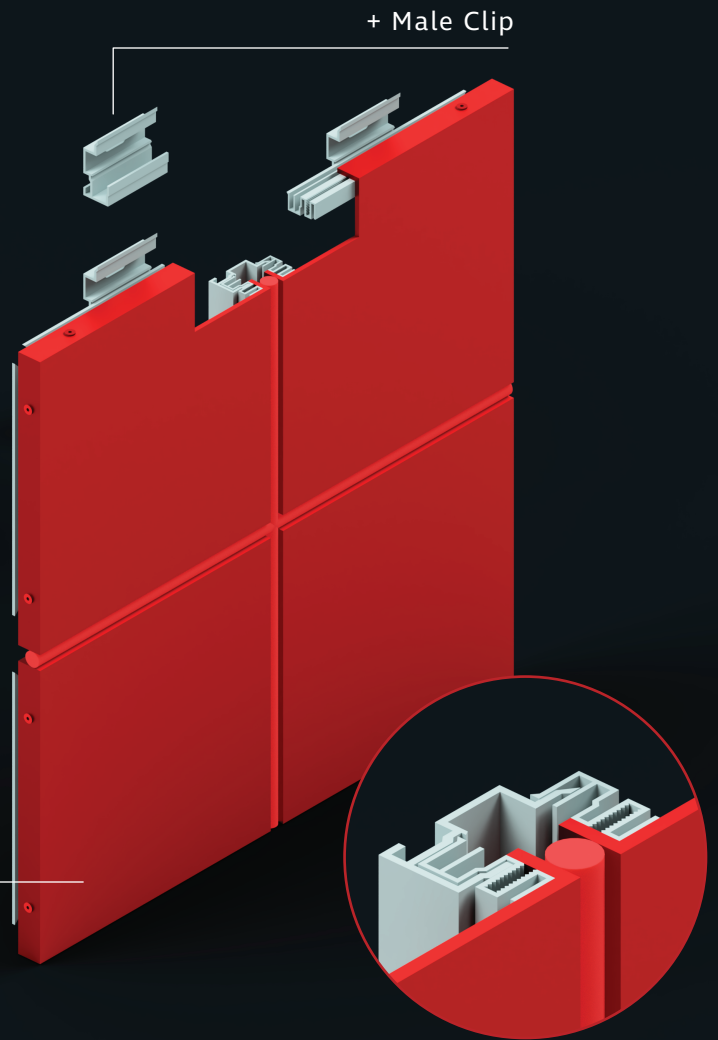
Est. 1935

**TXACM-WS**



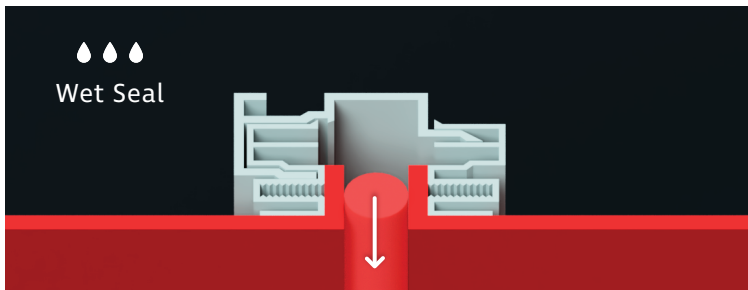
+ Female Extrusion

+ Aluminum Composite Material (ACM)



+ Male Clip

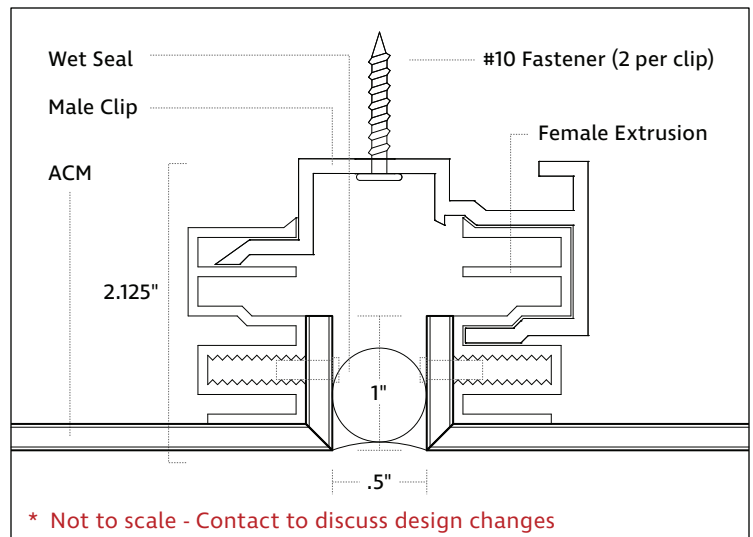
**TESTS:** + ASTM E283 + ASTM E330 + ASTM E331 + AAMA 501.1



Wet Seal

**PRODUCT OPTIONS**

- + 5' max. width
- + 8' recommended max. length (longer lengths available upon request)
- + Fire Rated (FR) core
- + 4mm standard ACM thickness
- + Available in a wide variety of colors and finishes



\* Not to scale - Contact to discuss design changes